

IDEAL FOR
MULTI-SCREEN
INSTALLATIONS

BT8390-VESA200T

SYSTEM X™ UNIVERSAL INTERFACE ARMS WITH TILT

FOR SMALL / MEDIUM SCREENS



Ideal for single row, multi-screen installations, these interface arms are designed to mount small to medium sized screens in a tilted position along System X horizontal mounting rails. The universal design is compatible with a variety of different screens and allows them to be mounted in either landscape or portrait orientations. Levelling screws on each interface arm provide post installation height adjustment and thumbwheels allow easy tool-less adjustment of the tilt angle up to 20°.



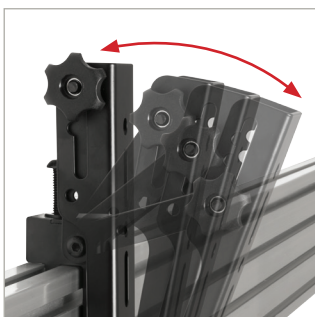
SPECIFICATION	
Recommended screen size	32" - 42"
Max load	70kg
VESA® & non-VESA fixings	up to 200mm* (vertical dimension)
Tilt adjustment	up to +20° (in increments of 5°)
Colour	Black

Supplied in pairs

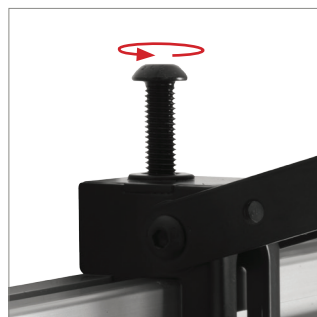
*The VESA specification of the BT8390-VESA200T refers to the vertical dimension only. All System X interface arms can be positioned as far along the rail as necessary.

FEATURES

- Part of the System X range for use in a variety of applications
- Ideal for menu boards and other multi-screen installations
- Also ideal for specialist stretch screens using VESA 600 x 200 fixings (landscape orientation)
- Universal design compatible with most screens
- Suitable for landscape or portrait mounting
- High-end aesthetic quality
- Tool-less thumbwheels for easy adjustment of the tilt angle
- Lateral adjustment - position arms anywhere along the length of the rail
- Includes levelling screws to adjust the screen height
- Safety screws help prevent unauthorised removal of screens
- Simple 'hook-on' installation
- All mounting hardware included



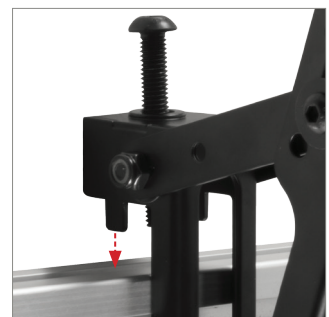
Tilt adjustment of up to +20° for enhanced overhead visibility



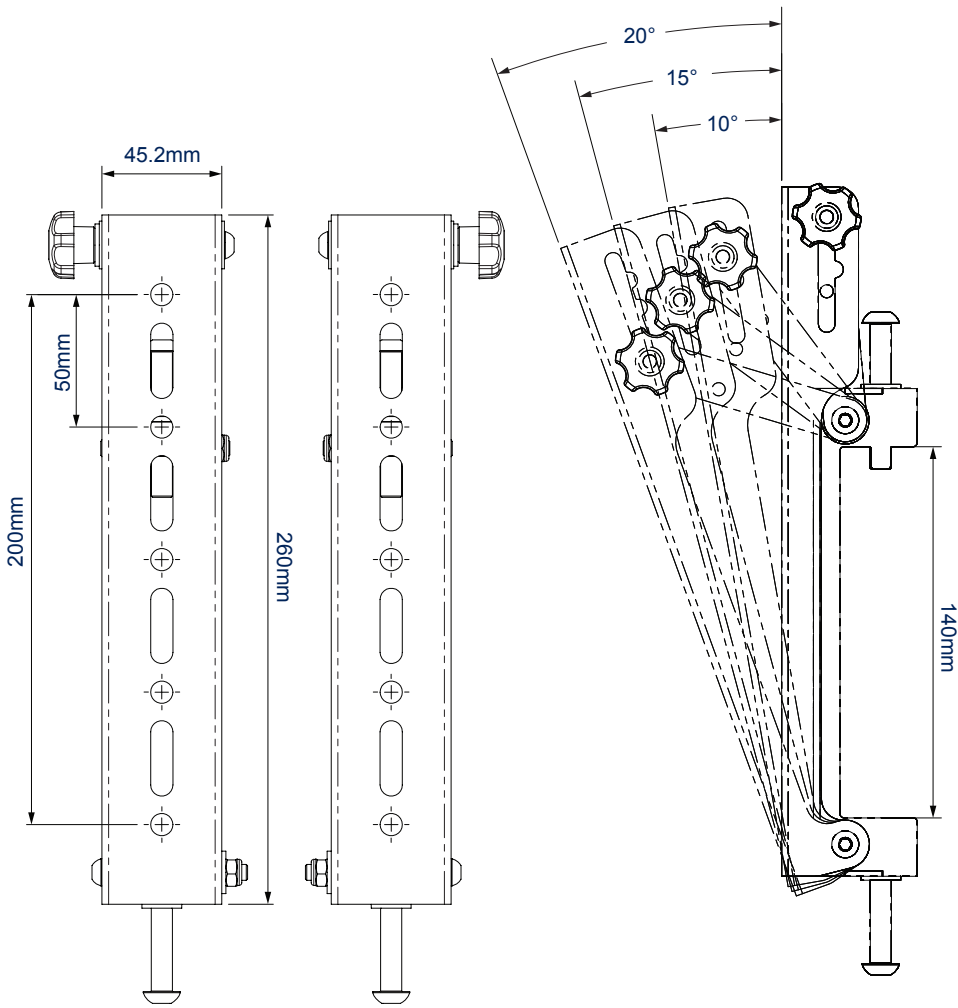
Arms feature levelling screws to adjust the screen height



Safety screws help prevent unauthorised removal of screens



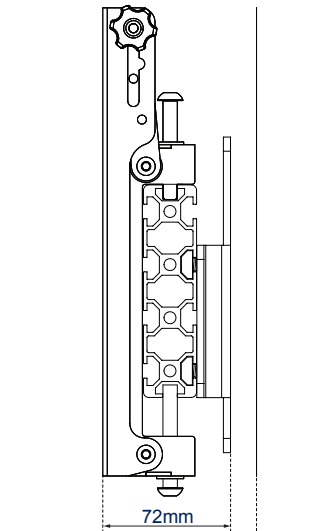
Simple 'hook-on' installation



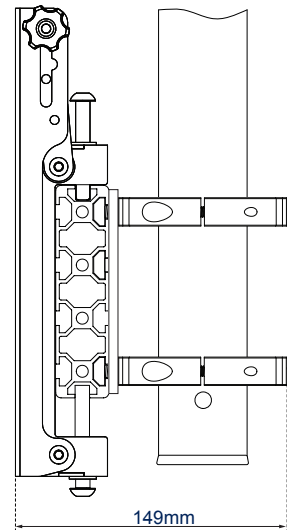
FRONT VIEW

SIDE VIEW WITH TILT

TYPICAL INSTALLATIONS



WALL MOUNTED*



POLE MOUNTED*

*Please note all other components shown in the technical drawings are available separately.

PACKING INFORMATION

COLOUR:	ORDER REF:	EAN CODE:	MASTER CARTON QTY:	INNER CARTON QTY:	MASTER CARTON WEIGHT:	MASTER CARTON CUBE:
Black	BT8390-VESA200T/B	5019318501227	7	0	13.5kg	0.065cbm

ACCESSORIES AND RELATED PRODUCTS



BT8390-WFK2
Wall Fixing Kits are used to fix mounting rails securely to the wall



BT8390-030/050/070/150/175/200
Mounting Rails can be attached to columns, walls or poles using System X components



BT8390-EXT
Extension Kits combine mounting rails together to create longer installations



BT8390-VESA200F
VESA 200 Interface Arms are designed to mount small - medium sized screens in a fixed vertical position to mounting rails

© 2019 B-Tech Av Mounts. All rights reserved. The information in this specification reflects the current technical specifications at the time of print. We accept no liability for loss or damage caused by improper or mounting on unsuitable structures. Any reproduction or retransmission or replication of any part of this specification is expressly prohibited, unless prior written permission has been granted by B-Tech Av Mounts. European Trademark No.: 002741256-0024 SS-V1-BT8390-VESA200T-270317